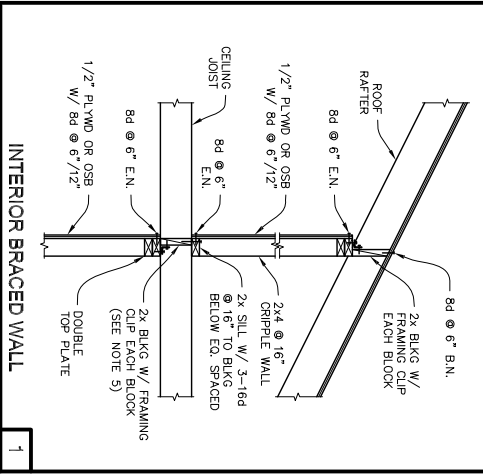
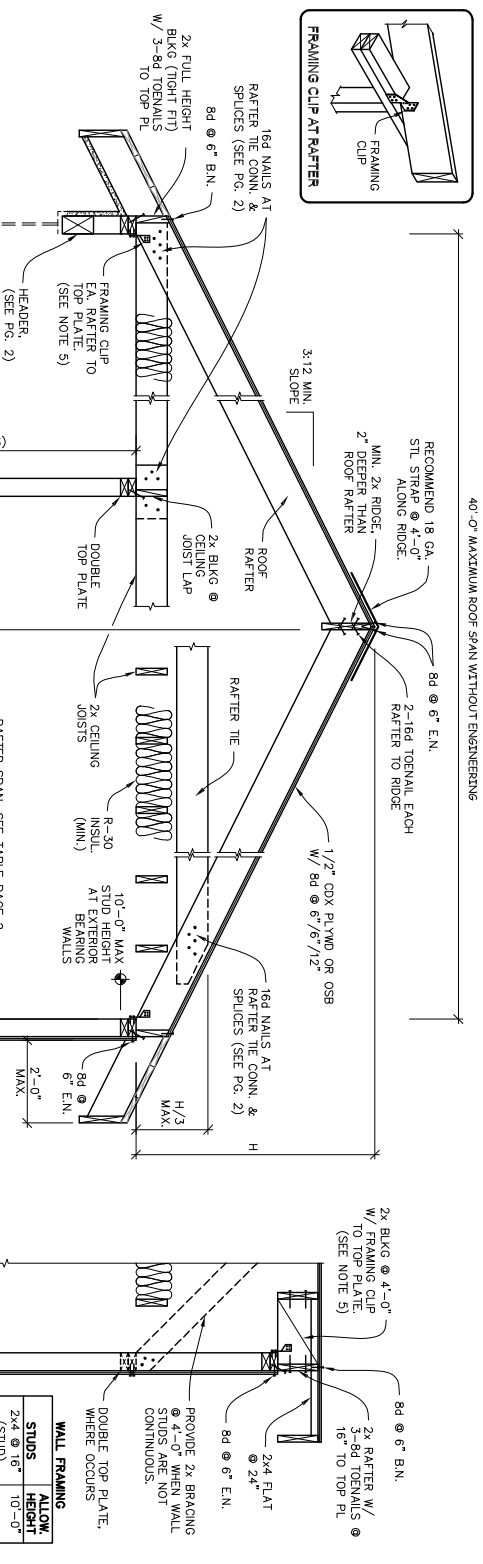


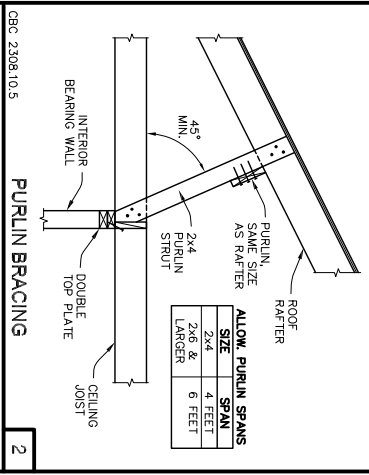
SINGLE STORY CONVENTIONAL WOOD-FRAME CONSTRUCTION SHEET



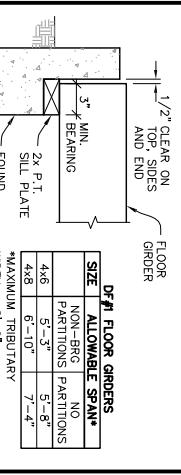
INTERIOR BRACED WALL



STUDS ALLOWED	ALLOWED SPAN
2x4 @ 16" (STUD)	10'-0"
2-2x4 @ 16" (TOP #2)	14'-0"
2x6 @ 16" (TOP #2)	18'-0"



PURLIN BRACING



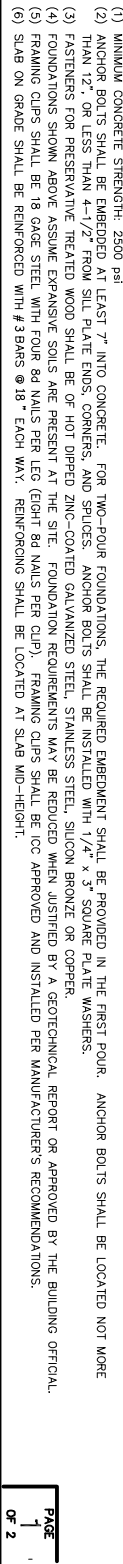
FLOOR GIRDERS

NOTES:

- FLOOR GIRDERS SHALL BE SPACED AT 8'-0" O.C. MAX.
- SILL PLATE SHALL BE PRESERVATIVE-TREATED WHEN LESS THAN 8' FROM SOL.

SIZE	ALLOWABLE SPAN	NON-BRG PARTITIONS
4x6	6'-10"	5'-8"
4x8	8'-10"	7'-4"

MAXIMUM TRIBUTARY WIDTH = 8'-0"



PAGE	1
OF 2	

THIS SHEET IS A SUMMARY OF SECTION 2308 OF THE 2007 CBC FOR USE WITH SINGLE-STORY CONSTRUCTION ONLY. DEAD LOAD SHALL NOT EXCEED 15 PSF FOR AVERAGE ROOF AND CEILING, OR EXTERIOR WALLS OR FLOORS AND PARTITIONS. FLOOR LIVE LOAD SHALL NOT EXCEED 40 PSF. THIS SHEET IS FOR REFERENCE ONLY AND IS NOT A SUBSTITUTE FOR ACCURATE DRAWINGS PREPARED FOR EACH PROPOSED CONSTRUCTION PROJECT.



TYPE V SHEET / LIGHT FRAME CONSTRUCTION

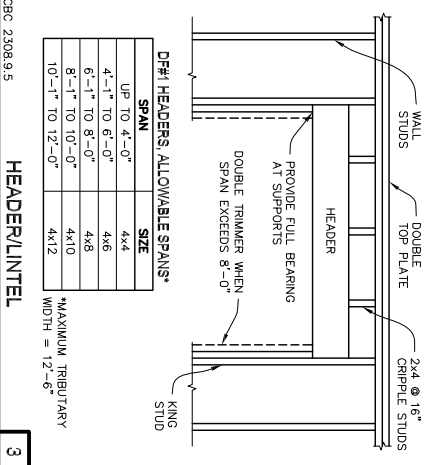
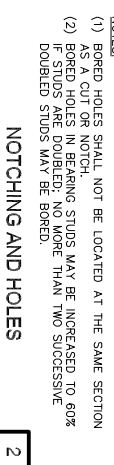
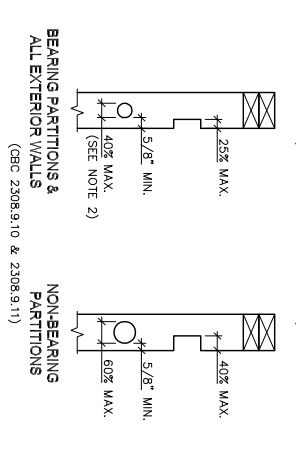
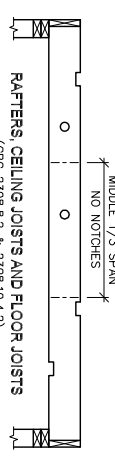
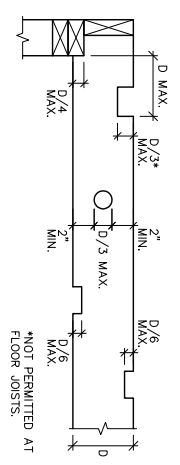
HELP FOR THE HOMEOWNER

ADELANTO BUILDING & SAFETY

Building Official: *Patrick Carroll* Date: 10/6/09

Date: 1/31/08 Sheet 1 of 2 B800

SINGLE STORY CONVENTIONAL WOOD-FRAME CONSTRUCTION SHEET



DF#2 RAFTERS, ALLOWABLE SPANS*

RAFTER SPAN	DL=10 PSF, LL=20 PSF	2x4	2x6	2x8	2x10	2x12
12'	9'-10"	15'-6"	20'-5"	25'-8"	-	-
16'	8'-11"	14'-1"	18'-2"	22'-3"	25'-9"	-
24'	7'-10"	11'-9"	14'-10"	18'-2"	21'-0"	-

*DATA FROM CBC TABLE 2308.10.3(2).

DF#2 CEILING JOISTS, ALLOWABLE SPANS*

JOIST SPACING	ATTOS WITHOUT STORAGE, LL=10 PSF	2x4	2x6	2x8	2x10	2x12
12"	12'-5"	19'-6"	25'-8"	-	9'-10"	14'-10"
16"	11'-3"	17'-8"	23'-0"	-	8'-9"	12'-10"
24"	9'-10"	14'-10"	18'-9"	22'-11"	10'-6"	13'-3"

*DATA FROM CBC TABLE 2308.10.2. ATTOS WITH STORAGE ARE THOSE WHERE THE CLEAR HEIGHT OF THE CEILING JOIST AND RAFTER IS 42" OR GREATER. ATTOS SHALL BE UNINHABITABLE.

RAFTER-TIE CONNECTIONS, #18d COMMON WALLS, SEE NOTE 6(1)

TI	3:12	4:12	5:12	7:12	9:12	12:12
SPACING	12' 20' 25'	12' 20' 25'	12' 20' 25'	12' 20' 25'	12' 20' 25'	12' 20' 25'
12"	3	4	5	3	3	3
16"	4	6	7	3	3	3
24"	5	8	10	4	4	4
32"	7	11	13	5	5	5
48"	10	16	19	7	7	7

DF#2 FLOOR JOISTS, ALLOWABLE SPANS*

JOIST SPACING	DL=10 PSF, LL=40 PSF	2x6	2x8	2x10	2x12
12"	10'-9"	14'-2"	17'-9"	20'-7"	-
16"	9'-9"	12'-7"	15'-5"	17'-10"	-
24"	8'-1"	10'-3"	12'-7"	14'-7"	-

*DATA FROM CBC TABLE 2308.8(2).

PLYWOOD OR OSB FLOOR AND ROOF SHEATHING, ALLOWABLE SPANS*

SHEATHING GRADES	MAX. SPAN (in.)	LOADS (psf.)		PANEL EDGES WITH 1x6 JOISTS OR MAX. SPAN (in.)
		TOTAL LOAD	LIVE LOAD	
SPAN RATING	THICKNESS	W/TL SUPP. EDGE	W/HT SUPP. EDGE	
2x/0	7/16, 1/2	24	20	0
2x/16	7/16, 1/2	24	24	50
3x/16	15/32, 1/2, 5/8	32	28	50
4x/20	19/32, 5/8, 3/4, 7/8	40	32	40
4x/24	23/32, 3/4, 7/8	48	36	45

*DATA FROM CBC TABLE 2304.7(3). SHEATHING PANELS SHALL BE CONTINUOUS OVER TWO OR MORE SPANS AND PERPENDICULAR TO SUPPORTS. FOR 1/2" SHEATHING, MAXIMUM SPAN SHALL BE 24". EDGE SUPPORT MAY BE PROVIDED BY TONGUE AND GROOVE EDGES, 2x BLOCKING, OR PANEL EDGE CLIPS.

